

LEO 15 GT

Technical data *

Aerial work platform

TEUPEN[®] hyLIFT[®]



Leo 15 GT

Working height:	14,90 m
Platform height:	12,90 m
Lateral outreach:	6,40 m
Safe load on cage:	max. 200 kg
Range of rotation:	355°
Size of working cage (LxWxH):	1,2 x 0,7 x 1,1 m
Length in travelling position with the cage:	min. 4710 mm
Length in travelling position without the cage:	min. 3995 mm
Width in travelling position without the cage:	min. 780 mm
Height in travelling position:	max. 1995 mm
Total weight:	1920 kg
Loading possibility:	2,65 m x 3,65
Surface load in loading position	approx. 2,16 kN/m ²
Ground load (caterpillar-track) in standard work position:	approx. 4,93 N/cm ²
Power line:	inside the profile
Drive:	Honda engine 13 PS
Adjustable width of caterpillar-track:	780-980 mm

Options:

Ground control with a 3 m long cable

Additional drive: 230 V AC engine
Overweight: 29 kg 2,2 KW

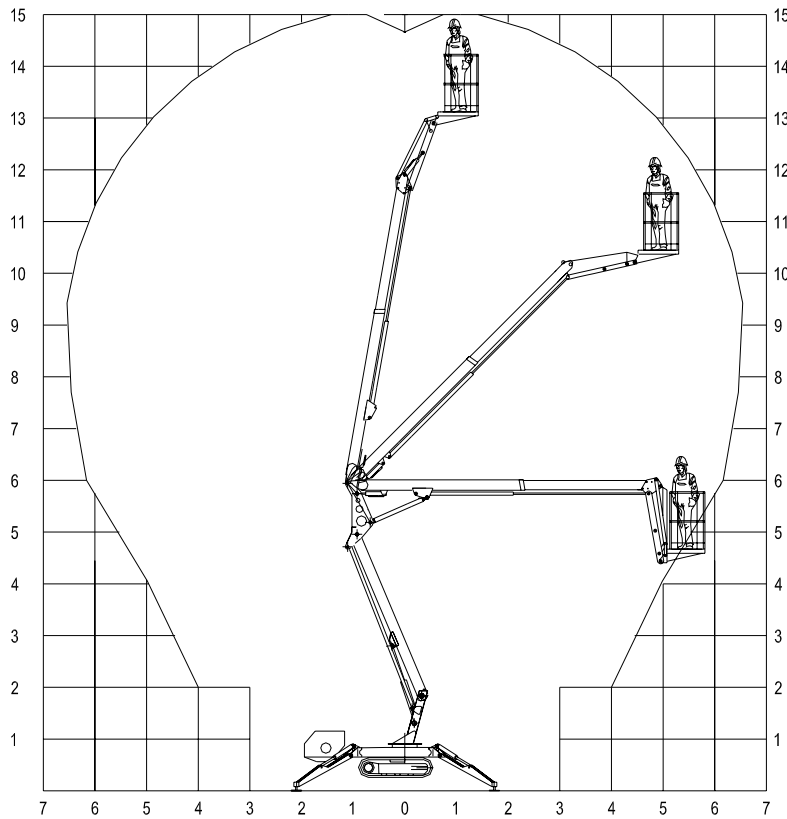
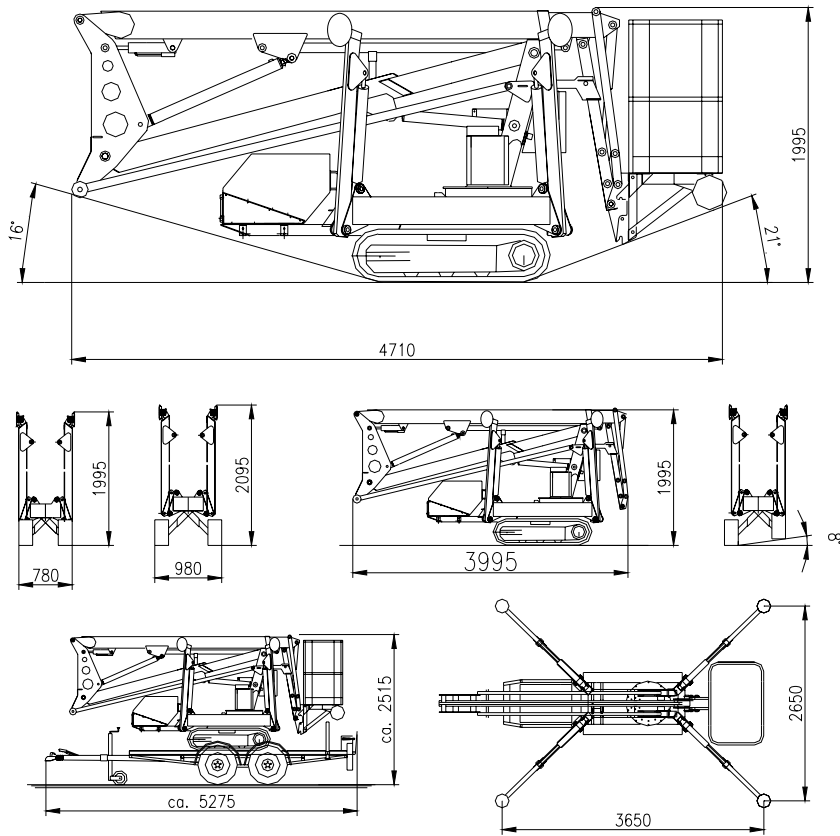
**Additional drive: Kubota-Diesel
Z-482 13,5 PS**

Overweight: 32 kg

*Technical data with standard equipment!

Alteration in construction reserved!

State: 02. 02. 2007



TEUPEN Maschinenbaugesellschaft mbH

Hausanschrift: Marie-Curie-Strasse 13 - D 48599 Gronau – Telefon 02562 / 8161-0 – Telefax 02562 / 8161-888
 Postanschrift: Postfach 1951 – D 48580 Gronau Internet: <http://www.teupen.de> – email: info@teupen.de